

50G per Lane MMF-Open Eye Technical Specification

Rev 4.0 April 14, 2021

Chair – Marek Tlalka, Macom

Editors –Tom Palkert, Macom, Mark Kimber, Semtech, Ed Frlan, Semtech, Dan Draper, Macom

Revisions

| Rev | Date | Description |
|-----|------------|---|
| 1.0 | 2019-08-28 | Initial Release for MSA members only |
| 2.0 | 2020-07-29 | Initial Public Release |
| 3.0 | 2020-10-21 | Second Public Release |
| 4.0 | 2021-04-14 | Third Public Release – Updated reference receiver bandwidth; updated stressed eye closure setup procedure to use VEC_{stat} in place of eye height/eye width. Corrected Ref Rx bandwidth in Sect 5.22.2 |

CONTENTS

| | |
|--|----|
| CONTENTS..... | 2 |
| TABLES..... | 4 |
| FIGURES..... | 4 |
| 1 References and Conventions | 5 |
| 1.1 Industry Documents..... | 5 |
| 1.2 Sources | 5 |
| 1.3 Conventions..... | 5 |
| 2 Keywords, Acronyms, and Definitions..... | 6 |
| 2.1 Keywords..... | 6 |
| 2.2 Acronyms and Abbreviations | 6 |
| 2.3 Definitions | 7 |
| 3 GENERAL | 9 |
| 3.1 Scope | 9 |
| 3.2 50G per Lane MMF Open Eye Module Block Diagrams | 9 |
| 3.3 Functional Description | 11 |
| 3.4 Hardware Signaling Pins..... | 11 |
| 3.5 Module Management Interface..... | 11 |
| 3.6 FEC Requirements | 11 |
| 3.7 High Speed Electrical Characteristics | 11 |
| 3.8 Mechanical Dimensions | 11 |
| 4 50G per lane MMF OPEN EYE OPTICAL SPECIFICATIONS | 11 |
| 4.1 Optical Specifications | 11 |
| 4.1.1 50G per lane MMF Open Eye transmitter optical specifications | 12 |
| 4.1.2 50G per lane MMF Open Eye receive optical specifications | 13 |
| 4.1.3 50G per lane MMF Open Eye illustrative link power budget | 14 |
| 5 DEFINITION OF OPTICAL PARAMETERS AND MEASUREMENT METHODS | 15 |
| 5.1 Test Patterns for Optical Parameters..... | 15 |
| 5.2 Inter-Eye Skew..... | 15 |
| 5.3 Skew Variation..... | 15 |
| 5.4 Wavelength | 16 |
| 5.5 Average Optical Power (P_{av})..... | 16 |
| 5.6 P3 Level | 16 |
| 5.7 P0 Level | 16 |

50G per lane MMF Open Eye Technical Specifications Rev 4.0

| | | |
|--------|---|----|
| 5.8 | Optical Modulation Amplitude (OMA_{outer})..... | 17 |
| 5.9 | Transmitter optical power (peak-peak) | 17 |
| 5.10 | Lower Threshold | 17 |
| 5.11 | Middle Threshold..... | 17 |
| 5.12 | Upper Threshold..... | 18 |
| 5.13 | U_{mid} | 18 |
| 5.14 | Middle Eye Center | 18 |
| 5.15 | Lower Eye Center..... | 18 |
| 5.16 | Upper Eye Center..... | 18 |
| 5.17 | P_{3_mean} , P_{2_mean} , P_{1_mean} , P_{0_mean} | 19 |
| 5.18 | DC Balance | 19 |
| 5.19 | Symbol Level Symmetry | 19 |
| 5.20 | EH_{low} , EH_{mid} , EH_{upp} | 19 |
| 5.21 | EW_{low} , EW_{mid} , EW_{upp} | 19 |
| 5.22 | Transmitter Eye and VEC Measurements..... | 20 |
| 5.22.1 | Transmitter Test 1: Short pattern deterministic test | 21 |
| 5.22.2 | Transmitter Test 2: Long pattern statistical test | 22 |
| 5.23 | Extinction Ratio..... | 27 |
| 5.24 | Relative Intensity Noise ($RIN_{16.5OMA}$)..... | 27 |
| 5.25 | Reference Receiver..... | 27 |
| 5.26 | Receiver Sensitivity..... | 27 |
| 5.27 | Stressed receiver sensitivity | 28 |
| 5.27.1 | Stressed receiver conformance test block diagram | 28 |
| 5.27.2 | Stressed receiver conformance test signal characteristics..... | 29 |
| 5.27.3 | Stressed receiver conformance test signal verification..... | 30 |
| 5.27.4 | Sinusoidal jitter stressor for the receiver conformance test..... | 31 |
| 6 | FIBER OPTIC CABLING MODEL | 32 |
| 7 | CHARACTERISTICS OF THE FIBER OPTIC CABLING | 33 |
| 7.1 | Optical Fiber Cable | 33 |
| 7.2 | Optical Fiber Connection..... | 33 |
| 7.2.1 | Connection insertion loss..... | 33 |
| 7.2.2 | Maximum discrete reflectance | 33 |
| 7.3 | Medium Dependent Interface (MDI) Requirement | 33 |
| 7.4 | Optical lane assignments for 50G per lane MMF Open Eye | 34 |

50G per lane MMF Open Eye Technical Specifications Rev 4.0

| | | |
|---|---|----|
| 8 | 50G per lane MMF-OPEN EYE MODULE COLOR CODING | 35 |
|---|---|----|

TABLES

| | |
|--|----|
| Table 4-1: 50G per lane MMF Open Eye operating range | 11 |
| Table 4-2: 50G per lane MMF-Open Eye transmit characteristics | 12 |
| Table 4-3: 50G per lane MMF Open Eye receive characteristics | 13 |
| Table 4-4: 50G per lane MMF Open Eye illustrative power budget | 14 |
| Table 4-5: 50G per lane MMF Open Eye Maximum value for each discrete reflectance | 14 |
| Table 5-1: Test patterns | 15 |
| Table 5-2: Test pattern definitions and related subclauses | 15 |
| Table 5-3: Eye Mask Values for 50G per lane MMF Open Eye | 26 |
| Table 5-4: Sinusoidal jitter frequency for TP3 testing | 31 |
| Table 6-1: Fiber optic cabling (channel) characteristics | 32 |
| Table 7-1: Optical fiber and cable characteristics | 33 |
| Table 8-1: 50G per lane MMF Open Eye Module Color Coding | 35 |

FIGURES

| | |
|--|----|
| Figure 3-1: Block diagram for 50G per lane MMF Open Eye transmit/receive paths | 10 |
| Figure 5-1: P3 Level Measurement | 16 |
| Figure 5-2: P0 Level Measurement | 17 |
| Figure 5-3: Test set up for 50G per lane MMF Open Eye transmitter output | 20 |
| Figure 5-4: TP2 PAM4 Eye Parameters for 50G per lane MMF Open Eye | 25 |
| Figure 5-5: Eye Mask for 50G per lane MMF Open Eye | 26 |
| Figure 5-6: Receiver sensitivity as a function of VEC_{stat} | 28 |
| Figure 5-7: Stressed Receiver Test block diagram | 29 |
| Figure 5-8: Receiver input sinusoidal jitter | 31 |
| Figure 6-1: Fiber optic cabling model | 32 |
| Figure 7-1 Optical lane assignments for 50G per lane MMF Open Eye | 34 |

1 References and Conventions

1.1 Industry Documents

The following documents are relevant to this specification:

InfiniBand
IEEE 802.3 2018
OIF CEI

1.2 Sources

Copies of InfiniBand standards may be obtained from the InfiniBand Trade Association (IBTA) (<http://www.infinibandta.org>).

Copies of IEEE standards may be obtained from the Institute of Electrical and Electronics Engineers (IEEE) (<https://www.ieee.org>).

Copies of OIF Implementation Agreements may be obtained from the Optical Internetworking Forum (<http://www.oiforum.com>).

1.3 Conventions

The following conventions are used throughout this document:

ORDER OF PRECEDENCE

If a conflict arises between text, tables, or figures, the order of precedence to resolve the conflicts is text; then tables; and finally figures. Not all tables or figures are fully described in the text. Tables show data format and values.

LISTS

Lists sequenced by lowercase or uppercase letters show no ordering relationship between the listed items. Lists sequenced by numbers show an ordering relationship between the listed items. Lists are associated with an introductory paragraph or phrase, and are numbered relative to that paragraph or phrase (i.e., all lists begin with an a. or 1. entry).

NUMBERING CONVENTIONS

The ISO convention of decimal numbering is used (i.e., the thousands and higher multiples are separated by a space and a period is used as the decimal point). This is equivalent to the English/American convention of a comma and a period.

| American | French | ISO |
|-------------|-------------|-------------|
| 0.6 | 0,6 | 0.6 |
| 1,000 | 1 000 | 1 000 |
| 1,323,462.9 | 1 323 462,9 | 1 323 462.9 |

2 Keywords, Acronyms, and Definitions

For the purposes of this document, the following keywords, acronyms, and definitions apply.

2.1 Keywords

Optional: Describes features which are not required by the specification. However, if any feature defined by the specification is implemented, it shall be done in the same way as defined by the specification. Describing a feature as optional in the text is done to assist the reader. If an optional feature is not implemented the default values for bits and bytes associated with this feature shall be zero unless otherwise stated.

Shall: Indicates a mandatory requirement. Designers are required to implement all such mandatory requirements to ensure interoperability with other products that conform to this specification.

Should: Indicates flexibility of choice with a strongly preferred alternative.

Vendor specific: Indicates something (e.g., a bit, field, code value) that is not defined by this specification. Specification of the referenced item is determined by the manufacturer and may be used differently in various implementations.

2.2 Acronyms and Abbreviations

ASCII: American Standard Code for Information Interchange (the numerical representation of a character)

BER: Bit Error Rate

CDR: Clock and Data Recovery

DFB: Distributed Feedback Laser

DWDM: Dense Wavelength Division Multiplexing

EML: Externally Modulated Laser

FEC: Forward Error Correction

FP: Fabry-Perot Laser

VCSEL: Vertical Cavity Surface Emitting Laser

WDM: Wavelength Division Multiplexing

MMF: Multi-Mode Fiber

2.3 Definitions

P3 Level: The P3 level is highest power level of the PAM4 signal.

P0 Level: The P0 level is the lowest power level of the PAM4 signal.

OMA_{outer}: OMA_{outer} is the level of modulated power in the optical signal based on low frequency P3 and P0 levels.

Transmitter optical power (peak-peak) is the level of modulated power in the optical signal including overshoots and undershoots. ($OMA_{outer} \leq \text{Transmitter optical power (peak-peak)}$)

Average Power: The Average Power, P_{av} , is the average of the optical power of the PAM4 signal.

Lower Threshold: The Lower Threshold is the threshold associated with the lower eye of the PAM4 signal.

Middle Threshold: The Middle Threshold is associated with the middle eye of the PAM4 signal.

Upper Threshold: The Upper Threshold is associated with the upper eye of the PAM4 signal.

UI_{mid}: UI_{mid} is specified as being 0.5 UI after 0 UI.

Middle Eye Center: The Middle Eye Center is calculated from eye width and eye height measurements of the middle eye. It is used to position the center of the mask shape for the middle eye mask.

Lower Eye Center: The Lower Eye Center is calculated from eye width and eye height measurements of the lower eye. It is used to position the center of the mask shape for the lower eye mask.

Upper Eye Center: The Upper Eye Center is calculated from eye width and eye height measurements of the upper eye. It is used to position the center of the mask shape for the upper eye mask.

P_{3_mean}, P_{2_mean}, P_{1_mean}, P_{0_mean}: These levels are calculated using the levels determined from histograms centered on the Middle Eye Center and are calculated in Transmitter Test 1.

DC Balance: DC Balance is a measure of level symmetry about the average power level. This is used to evaluate contributions to DC wander caused by the pattern. This is evaluated during Transmitter Test 1.

Symbol Level Symmetry: Symbol Level Symmetry is a measure of how evenly the four levels are distributed in amplitude. Symbol Level Symmetry is an indicator of the penalty caused by uneven PAM4 levels. This is evaluated during Transmitter Test 1.

EH_{low}, EH_{mid}, EH_{upp}: EH_{low}, EH_{mid} and EH_{upp} are the inner eye heights associated with the lower, middle and upper eyes respectively measured using a histogram method around the Middle Eye Center. This is evaluated during Transmitter Test 1.

50G per lane MMF Open Eye Technical Specifications Rev 4.0

EW_{low}, EW_{mid}, EW_{upp}: EW_{low}, EW_{mid} and EW_{upp} are the inner eye widths associated with the lower, middle and upper eyes respectively measured at the eye centers. This is evaluated during Transmitter Test 1.

Vertical Eye Closure Deterministic (VEC_{det}): Vertical Eye Closure Deterministic (VEC_{det}) is defined as the amount of eye closure with respect to OMA_{outer} based on the smallest inner eye height. This is evaluated during Transmitter Test 1.

Vertical Eye Closure Statistical (VEC_{stat}): The Vertical Eye Closure Statistical (VEC_{stat}) is used to assess the vertical eye closure of the transmitter using a long pattern. This is evaluated during Transmitter Test 2.

Module: Pluggable transceivers and active or passive cable assembly terminations that plug into the host receptacle such as, but not limited to, those of QSFP-DD, OSFP, COBO, QSFP, and SFP-DD form factors - hereafter referred to as modules unless cable assemblies are specifically mentioned.

OSNR: Optical Signal to Noise Ratio: The ratio between the optical signal power in a given signal bandwidth and the noise power in a given noise reference bandwidth.

Pulse Amplitude Modulation, four levels (PAM4): a modulation scheme where two bits are mapped into four signal amplitude levels to enable transmission of two bits per symbol.

Rx: an electronic component (Rx) that converts an electrical input signal to an electrical (retimed or non-retimed) output signal.

SNR: Signal to Noise Ratio: The ratio of signal power to the noise power, expressed in decibels

Tx: a circuit (Tx) that converts an electrical input signal to a signal suitable for the optical communications media.

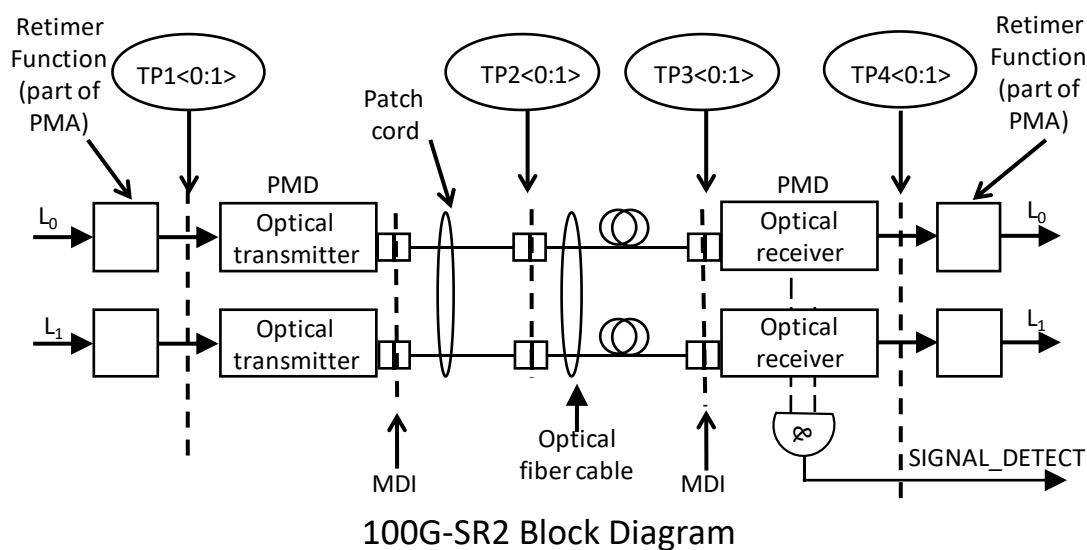
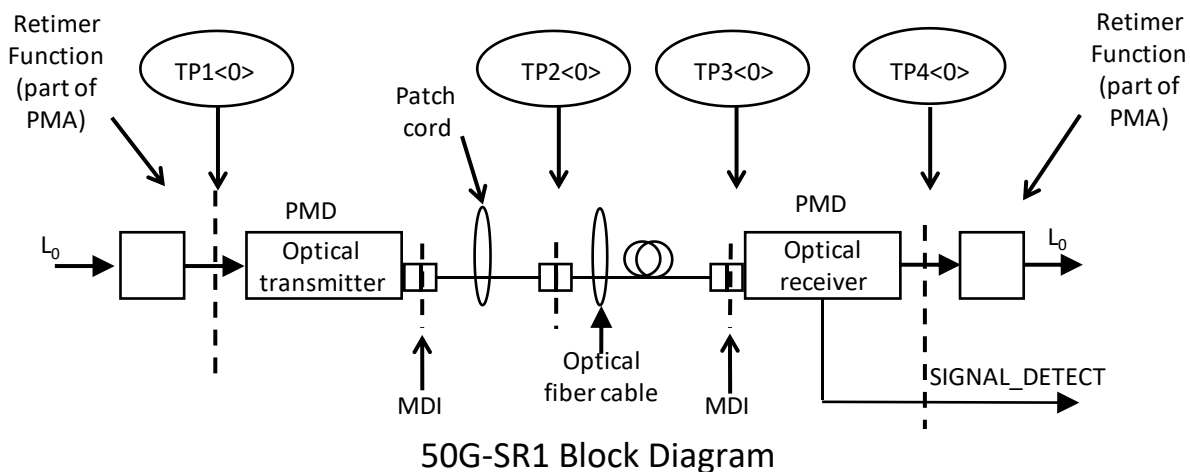
3 GENERAL

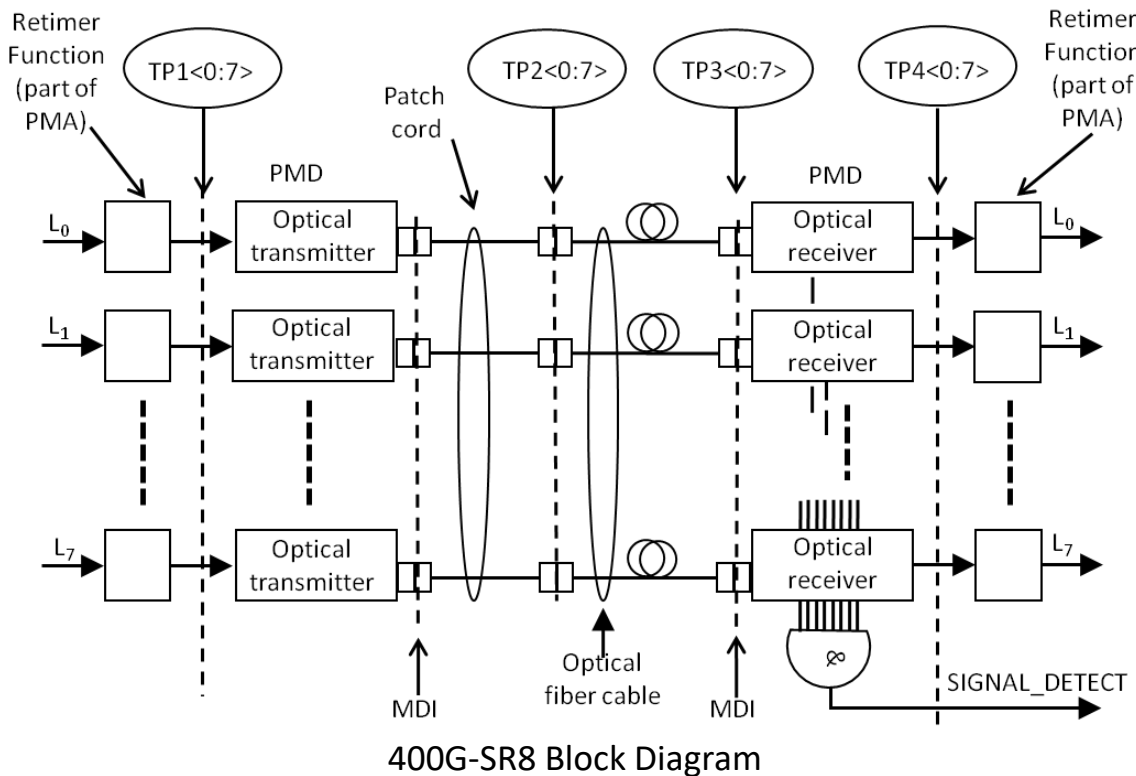
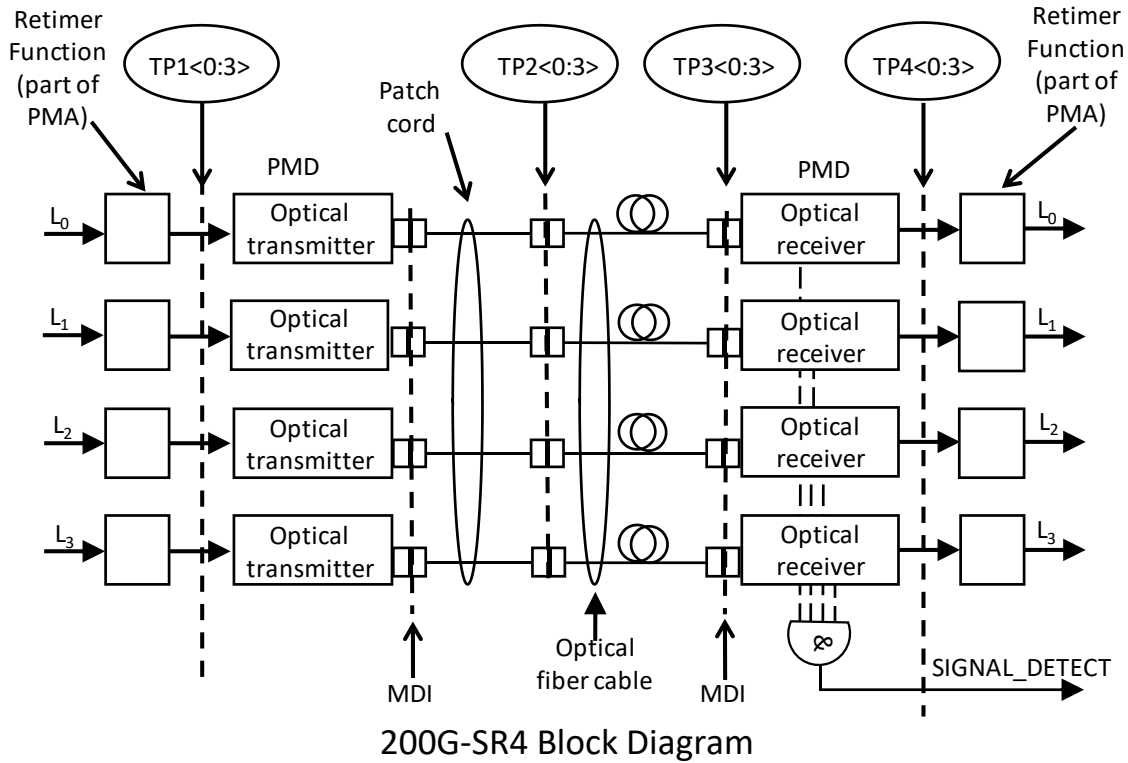
3.1 Scope

This Open Eye Multi-Source Agreement (MSA) specification defines a single, two, four and eight lane 50 Gbps/lane 100 m optical interface for 50, 100, 200 and 400 Gbps optical transceivers for Ethernet applications. Forward error correction (FEC) is required to be implemented by the host in order to ensure reliable system operation. Two transceivers communicate over multi-mode fibers (MMF) of length from 2 meters to at least 100 meters using the 50G per Lane MMF-Open Eye specification. The transceiver electrical interface is not specified by this MSA but can have, for example, eight lanes in each direction with a nominal rate of 26.5625 Gbps per lane or four lanes in each direction with a nominal rate of 53.125 Gbps per lane.

A variety of form factors for the 50G per Lane MMF-Open Eye transceiver are possible and none is precluded by this MSA.

3.2 50G per Lane MMF Open Eye Module Block Diagrams





NOTE – Specification of the retime function is beyond the scope of this MSA.

Figure 3-1: Block diagram for 50G per lane MMF Open Eye transmit/receive paths

3.3 Functional Description

50G per lane MMF Open Eye modules comply with the requirements of this document and have the following common features: one optical transmitter; one optical receiver with signal detect and a duplex optical connector for multi-mode fiber. The optical connector type is vendor specific but can include SC, LC, MPO, SN or CS types.

3.4 Hardware Signaling Pins

Hardware signaling pins are specified in the respective module form factor MSAs.

3.5 Module Management Interface

The contents of the various ID registers shall comply with the requirements of the module MSA and the respective standards.

3.6 FEC Requirements

The host system is required to enable RS(544,514) FEC (“KP4 FEC”) in accordance with clause 119 of IEEE Std 802.3-2018™. Operation with other FEC codes is beyond the scope of this MSA.

3.7 High Speed Electrical Characteristics

The detailed high speed electrical characteristics are not defined by this MSA. 50GE modules could be implemented in compliance with applicable electrical interface specifications.

3.8 Mechanical Dimensions

Mechanical dimensions are defined in module form factor MSA specifications.

4 50G per lane MMF OPEN EYE OPTICAL SPECIFICATIONS

4.1 Optical Specifications

The operating range for the 50G per lane MMF Open Eye PMDs is defined in Table 4-1. A compliant PMD operates on multi-mode fibers according to the specifications defined in Table 6-1 and characteristics in Table 7-1. A PMD that exceeds the required operating range while meeting all other optical specifications is considered compliant (e.g., operating at 120 m meets the operating range requirement of 2 m to 100 m).

Table 4-1: 50G per lane MMF Open Eye operating range

| PMD type | Required operating range |
|---------------------------|--------------------------|
| 50G per lane MMF Open Eye | 0.5 m to 70 m for OM3 |
| | 0.5 m to 100 m for OM4 |
| | 0.5 m to 100 m for OM5 |

During optimization of the transmitter, the aim should be to maximize the mask margin for each of the three inner eyes simultaneously whilst trading off against other parameters within the limits specified.

The following transmitter tests are considered informative:

1. VEC_{det} (covered by eye mask test)
2. Vertical Eye Opening (covered by eye mask test)
3. Horizontal Eye Opening (covered by eye mask test)

50G per lane MMF Open Eye Technical Specifications Rev 4.0

4.1.1 50G per lane MMF Open Eye transmitter optical specifications

The 50G per lane MMF Open Eye transmitters shall meet the specifications defined in Table 4-2.

Table 4-2: 50G per lane MMF-Open Eye transmit characteristics

| Description | IEEE | Open Eye | Unit |
|--|-----------------------------------|-----------------------------------|----------------------|
| | 200GBASE-SR4 ^a | 50G per lane MMF | |
| PAM4 Signaling rate (fb), (range) | 26.5625 ± 100 ppm | 26.5625 ± 100 ppm | GBd |
| Modulation format | PAM4 | PAM4 | |
| Wavelength (range) | 840 to 860 | 840 to 860 | nm |
| RMS spectral width ^b (max) | 0.6 | 0.6 | nm |
| Average launch power, each lane (max) | 4.0 | 4.0 | dBm |
| Average launch power, each lane ^c (min) | -6.5 | -6.5 | dBm |
| Transmitter Optical Power (peak-peak), each lane (max) | | 3.0 | dBm |
| Outer Optical Modulation Amplitude (OMA _{outer}), each lane (max) | 3.0 | 3.0 | dBm |
| Outer Optical Modulation Amplitude (OMA _{outer}), each lane (min) | -4.5 | -4.5 | dBm |
| TDECQ (max) | 4.5 | | dB |
| VEC _{det} (Vertical Eye Closure, deterministic) ^d (max) | | 4.4 | dB |
| VEC _{stat} (Vertical Eye Closure, Statistical) ^e (max) | | 4.5 | dB |
| Vertical Eye Opening (EH _{upp} , EH _{mid} , EH _{low}) (OMA) ^d (min) | | +/-0.06 | OMA _{outer} |
| Launch power in OMA _{outer} minus VEC _{stat} (min) | | -5.9 | dBm |
| Horizontal Eye Opening (EW _{upp} , EW _{mid} , EW _{low}) ^d (min) | | 0.25 | UI |
| Symbol Level Symmetry (min) | | 0.90 | |
| Average launch power of OFF transmitter, (max) | -30 | -30 | dBm |
| Extinction ratio, each lane (min) | 3.0 | 3.0 | dB |
| Optical return loss tolerance (max) | 12.0 | 12.0 | dB |
| Transmitter reflectance ^f (max) | -12 | -12 | dB |
| RIN _{12.0} OMA (max) | -128 | -128 | dB/Hz |
| Encircled flux ^g | ≥ 86% at 19 μm ≤ 30% at 4.5 μm | ≥ 86% at 19 μm ≤ 30% at 4.5 μm | |

^aValue provided for reference only, see IEEE 802.3 for current version

^b RMS spectral width is the standard deviation of the spectrum.

^c Average launch power, each lane (min) is informative and not the principal indicator of signal strength. A transmitter with launch power below this value cannot be compliant; however, a value above this does not ensure compliance.

^d Vertical and horizontal Eye Opening must be compliant with the eye mask shown in Figure 5-5.

^eFor specifications using VEC_{stat}, any value of VEC_{stat} < 1.4dB shall be assigned a value of 1.4dB

^f Transmitter reflectance is defined looking into the transmitter

^g If measured into type A1a.2 or type A1a.3 or A1a.4, 50 μm fiber, in accordance with IEC 61280-1-4.

50G per lane MMF Open Eye Technical Specifications Rev 4.0

4.1.2 50G per lane MMF Open Eye receive optical specifications

The 50G per lane MMF Open Eye receiver shall meet the specifications defined in Table 4-3.

Table 4-3: 50G per lane MMF Open Eye receive characteristics

| | IEEE | Open Eye | |
|---|---------------------------|--------------------------------------|------|
| Description | 200GBASE-SR4 ^a | 50G per lane MMF | Unit |
| Signaling rate (fb), each lane (range) | 26.5625 ± 100 ppm | 26.5625 ± 100 ppm | GBd |
| Modulation format | PAM4 | PAM4 | |
| Wavelength (range) | 840 to 860 | 840 to 860 | nm |
| Damage threshold, (min) ^b | 5.0 | 5.0 | dBm |
| Average receive power, each lane (max) | 4.0 | 4.0 | dBm |
| Average receive power, ^c each lane (min) | -8.4 | -8.4 | dBm |
| Receive power, (OMA _{outer}) each lane (max) | 3.0 | 3.0 | dBm |
| Receiver reflectance (max) | -12 | -12 | dB |
| Receiver sensitivity (OMA _{outer}), ^d (max) | max(-6.5, SECQ - 7.9) | max(-6.5, VEC _{stat} - 7.9) | dBm |
| Stressed receiver sensitivity (OMA _{outer}), ^e (max) | -3.4 | -3.4 | dBm |
| Conditions of stressed receiver sensitivity test ^f : | | | |
| Stressed eye closure for PAM4 (SECQ), lane under test | 4.5 | | dB |
| Stressed input eye VEC _{stat} | NA | 4.5 | dB |
| OMA _{outer} of each aggressor lane | 3 | 3 | dBm |

^aValue provided for reference only, see IEEE 802.3 for current version.

^bThe receiver shall be able to tolerate, without damage, continuous exposure to an optical signal having this average power level. The receiver does not have to operate correctly at this input power.

^cAverage receive power, (min) is informative and not the principal indicator of signal strength. A received power below this value cannot be compliant; however, a value above this does not ensure compliance.

^dReceiver sensitivity (OMA_{outer}), (max) is informative. Subject to further study.

^eMeasured with conformance test signal at TP3 (see Section 5.27) for the BER specified in IEEE Std 802.3cd clause 140.1.1.

^fThese test conditions are for measuring stressed receiver sensitivity. They are not characteristics of the receiver.

See Figure 5-7

4.1.3 50G per lane MMF Open Eye illustrative link power budget

An illustrative power budget and penalties for 50G per lane MMF Open Eye are shown in Table 4-4.

Table 4-4: 50G per lane MMF Open Eye illustrative power budget

| Description | OM3 | OM4 | OM5 | Unit |
|---|-----------|------------|-----|------|
| Effective modal bandwidth at 850 nm ^a | 2000 | 4700 | | |
| Power budget (for max VEC _{stat}) | 6.5 | | | dB |
| Operating distance | 0.5 to 70 | 0.5 to 100 | | m |
| Channel insertion loss ^b | 1.8 | 1.9 | | dB |
| Allocation for penalties ^c (for max VEC _{stat}) | 4.6 | | | dB |
| Additional insertion loss allowed | 0.1 | 0 | | dB |
| ^a Per IEC 60793-2-10. ^b The channel insertion loss is calculated using the maximum distance specified in Table 4-1 and cabled optical fiber attenuation of 3.5 dB/km at 850 nm plus an allocation for connection and splice loss given in 7.2.1. ^c Link penalties are used for link budget calculations. They are not requirements and are not meant to be tested. | | | | |

Table 4-5: 50G per lane MMF Open Eye Maximum value for each discrete reflectance

| Number of discrete reflectances above -55 dB | Maximum value for each discrete reflectance | Unit |
|--|---|------|
| 1 | -25 | dB |
| 2 | -31 | dB |
| 4 | -35 | dB |
| 6 | -38 | dB |
| 8 | -40 | dB |
| 10 | -41 | dB |

5 DEFINITION OF OPTICAL PARAMETERS AND MEASUREMENT METHODS

All optical measurements shall be made through a short patch cable, between 2 m and 5 m in length, unless otherwise specified.

5.1 Test Patterns for Optical Parameters

Table 5-1: Test patterns

| Pattern | Pattern Description | Defined in ^a |
|-------------|--|------------------------------------|
| Square wave | Square wave (8 threes, 8 zeroes) | 120.5.11.2.4 |
| 3 | PRBS31Q | 120.5.11.2.2 |
| 4 | PRBS13Q | 120.5.11.2.1 |
| 5 | Scrambled idle encoded by RS-FEC | 119.2.4.9 |
| 5a | Scrambled Remote Fault encoded by RS-FEC | 119.2.3.8, 82.2.3.9, 117.3, 81.3.4 |
| 6 | SSPRQ | 120.5.11.2.3 |

^aThese sub-clauses make reference to relevant clauses of IEEE Std 802.3-2018.

Table 5-2: Test pattern definitions and related subclauses

| Parameter | Pattern | Reference |
|---|--|----------------------|
| Wavelength | Square wave, 3, 4, 5, 5a, 6 or valid 200GBASE-R signal | 5.4 |
| Side mode suppression ratio | 3, 5, 5a, 6 or valid 200GBASE-R signal | 140.7.2 ^a |
| Average optical power | 3, 5, 5a, 6 or valid 200GBASE-R signal | 5.5 |
| Optical modulation amplitude (OMA _{outer}) | 4 or 6 | 5.8 |
| Transmitter test 1: Short pattern deterministic test | 4 | 5.22 |
| Transmitter test 2: Long pattern statistical test | 3 or 6 or valid 200GBASE-R signal | 5.22 |
| Extinction ratio | 4 or 6 | 5.23 |
| RIN _{17.1} /RIN _{15.6} OMA | Square-wave | 5.24 |
| Stressed receiver conformance test signal calibration | 6 | 5.27.3 |
| Receiver sensitivity | 3, 5, 5a | 5.26 |
| Stressed receiver sensitivity | 3, 5 or 5a | 5.27 |

^aIEEE Std 802.3cd.

5.2 Inter-Eye Skew

The Inter-eye Skew is defined in Table 4-2. It is the maximum time difference between $T_{mid,mid}$ and $T_{mid,upp}$ or $T_{mid,low}$. (See Figure 5-5)

5.3 Skew Variation

Skew variation is specified in IEEE Std 802.3 2018 clause 122.3.2.

5.4 Wavelength

The wavelength and SMSR shall be within the range given in Table 4-2 if measured per IEC 61280-1-3. The transmitter is modulated using the test pattern defined in Table 5-2.

5.5 Average Optical Power (P_{av})

The average optical power shall be within the limits given in The 50G per lane MMF Open Eye transmitters shall meet the specifications defined in Table 4-2.

Table 4-2 if measured using the methods given in IEC 61280-1-1. The average optical power is measured using the test pattern defined in Table 5-2, per the test setup in IEEE Std 802.3-2018 Figure 53-6.

5.6 P3 Level

For Transmitter Test 1, the P3 Level is defined as the as the power measured over the central 2 UI of a run of 7 threes as shown in Figure 5-1

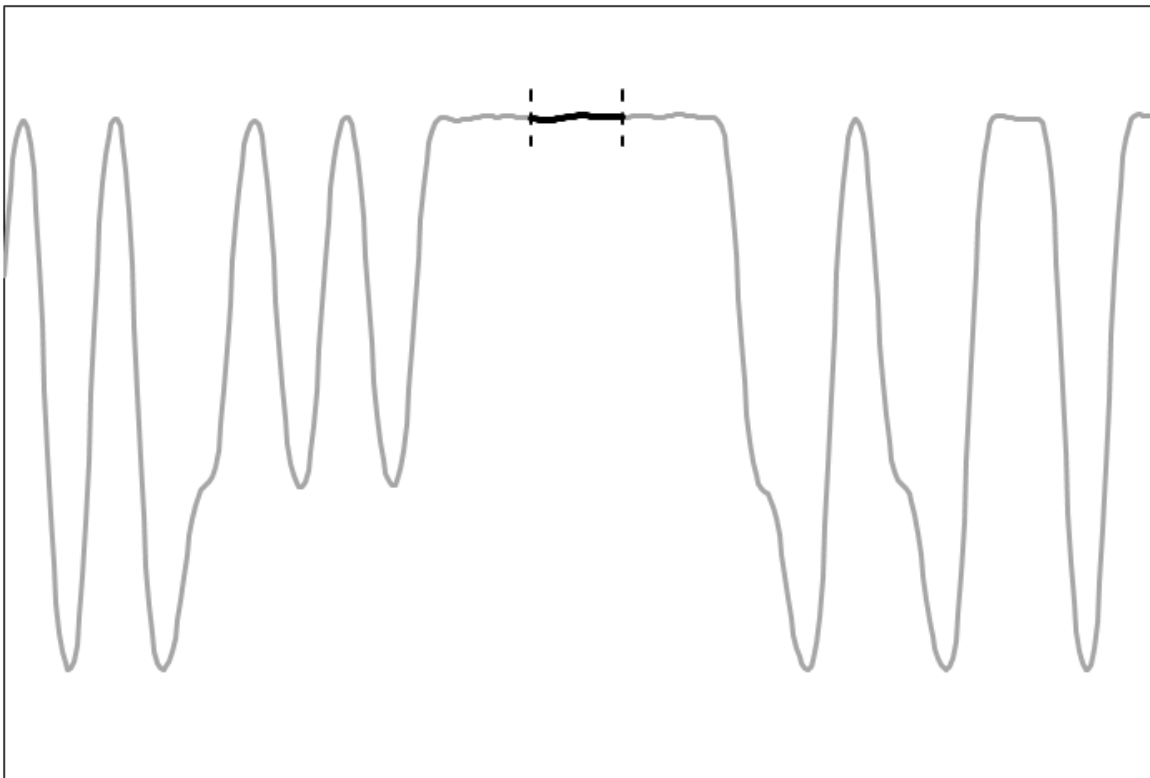


Figure 5-1: P3 Level Measurement

5.7 P0 Level

For Transmitter Test 1, the P0 Level is defined as the power measured over the central 2 UI of a run of 6 zeros as shown in Figure 5-2.

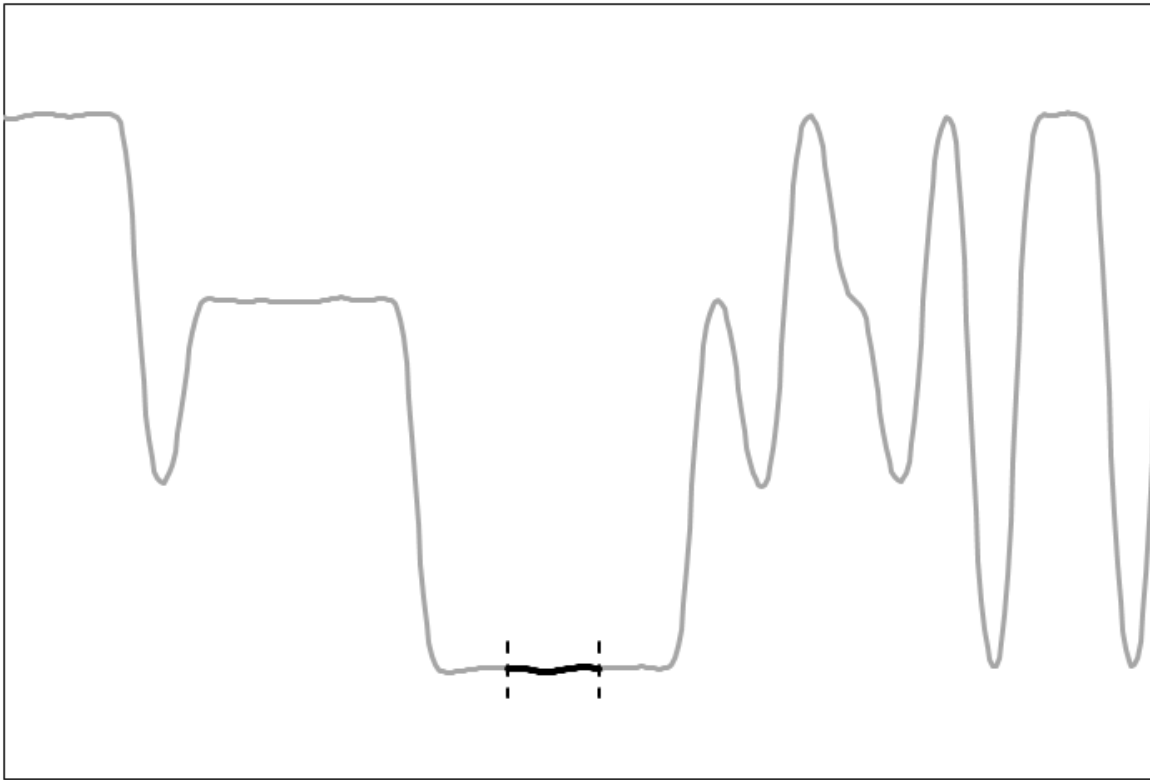


Figure 5-2: P0 Level Measurement

5.8 Optical Modulation Amplitude (OMA_{outer})

OMA_{outer} is calculated as (following IEEE Std 802.3 clause 122.8.4.)

$$OMA_{outer} = P_3 - P_0$$

5.9 Transmitter optical power (peak-peak)

Transmitter optical power (peak-peak) is measured as the outer envelope of the optical signal with a fourth-order Bessel Thomson filter response with a 3 dB bandwidth of approximately $0.75 \times \text{baud rate}$. The average waveform should be scanned to find the maximum and minimum power levels including overshoots and undershoots.

5.10 Lower Threshold

The Lower Threshold is calculated as

$$Lower\ Threshold = P_{av} - \frac{OMA_{outer}}{3}$$

5.11 Middle Threshold

The Middle Threshold is calculated as

$$Middle\ Threshold = P_{av}$$

5.12 Upper Threshold

The Upper Threshold is calculated as

$$Upper\ Threshold = P_{av} + \frac{OMA_{outer}}{3}$$

5.13 UI_{mid}

The mean of the average power crossing time is used to calculate the 0 UI time. UI_{mid} is 0.5 UI after 0 UI.

5.14 Middle Eye Center

Determine the time position associated with the midpoint of the horizontal eye width based on the zero hit crossing points at the Middle Threshold power level (P_{av}). Constrain this time position with respect to UI_{mid} time as per the requirements in Table 5-3. The constrained time position is defined as $T_{mid,mid}$ (see Figure 5-4). This is the Middle Eye Center time position.

Determine the power level value associated with the mid-point of the middle eye vertical eye height based on the zero hit points measured at the Middle Eye Center time position. Constrain this power level value to be within the requirements of Table 5-3. This is the Middle Eye Center amplitude value.

The mask shape for the middle eye is centered on the Middle Eye Center. The mask shape position can be optimized within the constraints defined in Table 5-3 with respect to UI_{mid} and the Middle Threshold power level.

5.15 Lower Eye Center

Determine the time position associated with the midpoint of the horizontal eye width based on the zero hit crossing points at the Lower Threshold power level. Constrain this time position to be within the Inter-eye Skew (max) specified in Table 5-3 Table 4-2 of the Middle Eye Center time position. The constrained time position is defined as $T_{mid,low}$ (see Figure 5-4). This is the Lower Eye Center time position.

Determine the power level value associated with the mid-point of the lower eye vertical eye height based on the zero hit points measured at the Lower Eye Center time position. Constrain this power level value to be within the requirements of Table 5-3. This is the Lower Eye Center amplitude value.

The mask shape for the lower eye is centered on the Lower Eye Center.

5.16 Upper Eye Center

Determine the time position associated with the midpoint of the horizontal eye width based on the zero hit crossing points at the Upper Threshold power level. Constrain this time position to be within the Inter-eye Skew (max) specified in Table 5-3 of the Middle Eye Center time position. The constrained time position is defined as $T_{mid,upp}$ (see Figure 5-4). This is the Upper Eye Center time position.

Determine the power level value associated with the mid-point of the upper eye vertical eye height based on the zero hit points measured at the Upper Eye Center time position. Constrain this power level value to be within the requirements of Table 5-3. This is the Upper Eye Center amplitude value.

The mask shape for the upper eye is centered on the Upper Eye Center.

5.17 P_{3_mean} , P_{2_mean} , P_{1_mean} , P_{0_mean}

These levels are calculated using the levels determined by histograms from a 0.05 UI wide window centered on the Middle Eye Center. The mean values are calculated from the histograms for each level.

5.18 DC Balance

DC Balance is a measure of level symmetry about the mid-power level and is referenced to the OMA_{outer} . This is to minimize contributions to DC wander. DC Balance is calculated using the levels determined from by histograms from a 0.05 UI wide window centered on the Middle Eye Center.

$$DC\ Balance = \frac{P_{0_mean} + P_{1_mean} + P_{2_mean} + P_{3_mean} - 4P_{av}}{P_{3_mean} - P_{0_mean}}$$

5.19 Symbol Level Symmetry

Symbol Level Symmetry is a measure of how even the four levels are distributed in amplitude. Symbol Level Symmetry is an indicator of the penalty caused by uneven PAM4 levels and is calculated using the levels determined from by histograms from a 0.05 UI wide window centered on the Middle Eye Center.

$$Symbol\ Level\ Symmetry = \frac{3 \cdot \min(P_{3_mean} - P_{2_mean}, P_{2_mean} - P_{1_mean}, P_{1_mean} - P_{0_mean})}{(P_{3_mean} - P_{0_mean})}$$

5.20 EH_{low} , EH_{mid} , EH_{upp}

EH_{low} , EH_{mid} and EH_{upp} are the inner eye heights associated with the lower, middle and upper eyes respectively. They are calculated using the histogram edges from a 0.05 UI window centered on the Middle Eye Center. (See Figure 5-4)

5.21 EW_{low} , EW_{mid} , EW_{upp}

EW_{low} , EW_{mid} and EW_{upp} are the inner eye widths associated with the lower, middle and upper eyes respectively. These are measured at Lower Eye Center, Middle Eye Center and Upper Eye Center points using the innermost transition crossing the Eye Center amplitude value. (See Figure 5-4)

5.22 Transmitter Eye and VEC Measurements

Two transmitter tests are performed to ensure compliance to the performance defined in Table 4-2. The 50G per lane MMF Open Eye transmitters shall meet the specifications defined in Table 4-2.

Table 4-2 The test set up shown in Figure 5-3 is used for both Transmitter Test 1 and Transmitter Test 2. The purpose of Transmitter Test 1 is to ensure the eye has low ISI over the mid and upper frequency ranges and that the eye is centered. An eye mask test is performed during transmitter test 1 and no mask violations are allowed. The eye mask is not a hit ratio mask. Transmitter Test 2 uses a longer pattern to cover the full frequency range and fully characterize the transmitter using a statistical measurement.

The signal at TP2 is used to measure Eye Width (EW), Eye Height (EH), DC Balance, Symbol Symmetry and Vertical Eye Closure. The measured signal after the reference receiver shall meet the specifications listed in The 50G per lane MMF Open Eye transmitters shall meet the specifications defined in Table 4-2.

Table 4-2 using a test pattern as defined in Table 5-2. The definitions of the eye parameters and equations are defined in Section 2.3.

The test set up for measuring transmitter output Eye Width and Eye Height is illustrated in Figure 5-3.

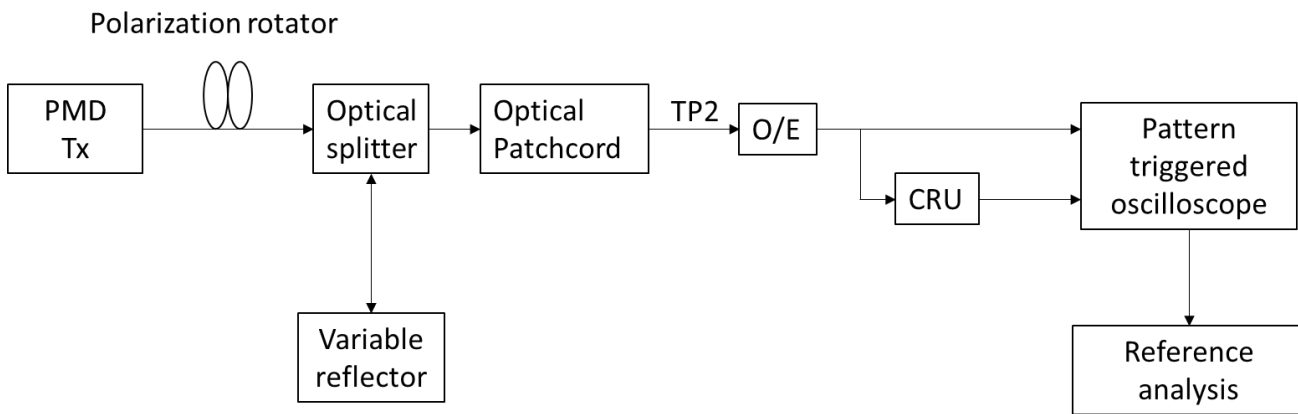


Figure 5-3: Test set up for 50G per lane MMF Open Eye transmitter output

5.22.1 Transmitter Test 1: Short pattern deterministic test

This test is to ensure the transmitter has good mid and high frequency characteristics with low ISI and is centered.

- 1) Set the PPG or host to the correct pattern as defined in Table 5-2. This allows the sampling oscilloscope to use pattern lock.
- 2) Capture the signal at TP2 using the reference receiver as defined in Section 5.25 with an oscilloscope triggered with a clock from a reference clock recovery unit (CRU) with a first order transfer function with a 3 dB tracking bandwidth of 4 MHz.
 - a. The signal must be captured with a minimum of 16 samples per UI with averaging of 4, or equivalent.
 - b. Every symbol must be overlaid to form the eye diagram.
 - c. The signal should be interpolated to have sample spacing of less than or equal to the eye diagram column width using Sin(x)/x interpolation.
- 3) Measure Transmitter optical power (peak-peak)
- 4) Determine T_{mid} and OMA_{outer} .
- 5) Determine the Middle Eye Center, Lower Eye Center and Upper Eye Center.
- 6) Apply the eye mask. The Middle, Lower and Upper Eye Centers can be optimized vertically and horizontally for best mask compliance within the constraints specified in Table 5-3. **No violations of the eye mask are allowed.**
- 7) Measure the P_{3_mean} , P_{2_mean} , P_{1_mean} and P_{0_mean} levels based on the peak of the histograms measured in a 0.05 UI wide vertical window centered on the Middle Eye Center.
- 8) Calculate DC Balance and Symbol Level Symmetry.
- 9) Measure eye height (EH) for each of the inner eyes and calculate Vertical Eye Closure Deterministic, (VEC_{det}).
- 10) Measure eye width (EW) for each of the inner eyes at their measured Eye Centers.

Vertical Eye Closure Deterministic (VEC_{det})

VEC_{det} is a measure of the transmitter eye closure penalty based on the averaged pattern used in transmitter test 1. It is calculated using the measured eye heights, P_{3_mean} and P_{0_mean} levels.

$$VEC_{det}(dB) = -10 \cdot \log_{10} \left(\frac{3 \cdot \min(EH_{upp}, EH_{mid}, EH_{low})}{(P_{3_mean} - P_{0_mean})} \right)$$

5.22.2 Transmitter Test 2: Long pattern statistical test

This test is to ensure that the transmitter has good performance using a representative usage pattern and to calculate the link penalty associated with the transmitter when transmitting through a worst case optical channel, and measured using the reference receiver as defined in Section 5.25. The reference receiver may be implemented in software or may be part of the oscilloscope.

- 1) Set the PPG or host to the correct pattern as defined in Table 5-2.
- 2) Capture the eye diagram at TP2 using the reference receiver as defined in Section 5.25 with the oscilloscope triggered with a clock from a reference clock recovery unit (CRU) with a first order transfer function with a 3 dB tracking bandwidth of $f_b/6640$.
- 3) Using the method described in the Vertical Eye Closure Statistical (VEC_{stat}) Section 5.22.1, capture sufficient samples to establish the BER curve at 2.4×10^{-4} . The outer height boundary of the histogram windows must encompass the full amplitude of the waveform.
- 4) Calculate Vertical Eye Closure statistical (VEC_{stat}). For specifications using VEC_{stat}, any value of VEC_{stat} < 1.4 dB shall be assigned a value of 1.4 dB.

Note: If test flexibility is required, then it is acceptable to have Test 2 stand-alone from Test 1 and to base the initial VEC_{stat} measurement on UI_{mid} and the Lower, Middle and Upper thresholds and allow optimization with the limits specified in Table 5-3. The OMA should be calculated using P_{0_mean} and P_{3_mean} calculations from the histograms for this test for patterns that cannot be pattern locked. It is expected that a pattern locked measurement will be more accurate.

5.22.2.1 Vertical Eye Closure Statistical (VEC_{stat})

The Vertical Eye Closure Statistical (VEC_{stat}) is used to assess the vertical eye closure of the transmitter using a long pattern which is representative of the data traffic that the transmitter will pass in normal usage. It is also expected that VEC_{stat} can be used to infer the receiver penalty compared to other transmitters.

The OMA_{outer} of the transmitter signal being tested needs to be kept at a sufficient level to minimize the impact of oscilloscope noise. The oscilloscope noise should be characterized with no input signal. This is defined as σ_s .

Two vertical histograms of 0.02 UI width located at +/- 0.025 UI from the Middle Eye Center are measured through the PAM4 eye diagram. The outer height boundaries of the histograms must be set beyond the extremes of the eye diagram to ensure that all samples within the defined histogram time slices are captured. Each histogram (defined as left and right) should be divided into a suitable number of equally spaced, touching, bins spanning the optical power range sampled. Each bin contains a number of optical power samples, n_i , captured in the bin range, Δp , with the bin center at p_i . Each bin is normalized by dividing p_i by the total number of samples in that histogram.

$$\text{Normalized Histogram} = F(p_i) = \frac{n_i}{N_{\text{histogram}}}$$

$$\sum_i F(p_i) = 1$$

Convert each normalized histogram (left and right) into three cumulative probability functions, CPF_{Lupp}, CPF_{Lmid} and CPF_{Llow} for the left histogram and CPF_{Rupp}, CPF_{Rmid} and CPF_{Rlow} for the right histogram, centered on each of

50G per lane MMF Open Eye Technical Specifications Rev 4.0

the Upper Eye Center, Middle Eye Center and Lower Eye Center power levels. The cumulative probability function, CPF_{Lupp} , is calculated using:

$$CPF_{Lupp}(p_i) = \begin{cases} \sum_{p=Upper\ Eye\ Center}^{p_i} F(p) & \text{for } p \geq Upper\ Eye\ Center \\ \sum_{p_i} F(p) & \text{for } p < Upper\ Eye\ Center \end{cases}$$

The other cumulative probability functions are calculated using the appropriate eye center levels and normalized histograms.

To calculate the approximate Symbol Error Rate (SER), a Gaussian noise function needs to be iteratively convolved with the cumulative probability functions to find the SER of 4.8×10^{-4} (BER of 2.4×10^{-4}). The Gaussian noise function is described as follows:

$$Noise_{upp}(p_i) = \int_{p_i - \frac{\Delta p}{2}}^{p_i + \frac{\Delta p}{2}} \frac{1}{\sigma_n \sqrt{2\pi}} \cdot e^{-\left(\frac{p - Upper\ Eye\ Center}{\sigma_n \sqrt{2}}\right)^2} dp$$

Which can be approximated as

$$Noise_{upp}(p_i) \approx \frac{1}{\sigma_n \sqrt{2\pi}} \cdot e^{-\left(\frac{p - Upper\ Eye\ Center}{\sigma_n \sqrt{2}}\right)^2} \cdot \Delta p$$

Where σ_n is the RMS value of Gaussian noise function. The equivalent Gaussian noise functions for the middle and lower eye cumulative probability functions are:

$$Noise_{mid}(p_i) \approx \frac{1}{\sigma_n \sqrt{2\pi}} \cdot e^{-\left(\frac{p - Middle\ Eye\ Center}{\sigma_n \sqrt{2}}\right)^2} \cdot \Delta p$$

$$Noise_{low}(p_i) \approx \frac{1}{\sigma_n \sqrt{2\pi}} \cdot e^{-\left(\frac{p - Lower\ Eye\ Center}{\sigma_n \sqrt{2}}\right)^2} \cdot \Delta p$$

50G per lane MMF Open Eye Technical Specifications Rev 4.0

The SER for the left histogram is calculated using

$$SER_L = \sum_i CPF_{Lupp}(p_i) \cdot Noise_{upp}(p_i) + \sum_i CPF_{Lmid}(p_i) \cdot Noise_{mid}(p_i) + \sum_i CPF_{Llow}(p_i) \cdot Noise_{low}(p_i)$$

The SER for the right histogram is calculated using

$$SER_R = \sum_i CPF_{Lupp}(p_i) \cdot Noise_{upp}(p_i) + \sum_i CPF_{Lmid}(p_i) \cdot Noise_{mid}(p_i) + \sum_i CPF_{Llow}(p_i) \cdot Noise_{low}(p_i)$$

σ_n is increased until either SER_L or SER_R reaches the target SER of 4.8×10^{-4} . The RMS sum of σ_n and σ_s is the equivalent RMS noise that could be added to the receiver.

$$Noise_{total} = \sqrt{\sigma_n^2 + \sigma_s^2}$$

The Vertical Eye Closure Statistical (VEC_{stat}) penalty is calculated using

$$VEC_{stat}(dB) = 10 \log_{10} \left(\frac{OMA_{outer}}{6} \cdot \frac{1}{Q \cdot Noise_{total}} \right)$$

Where $Q=3.414$ (SNR associated with the BER)

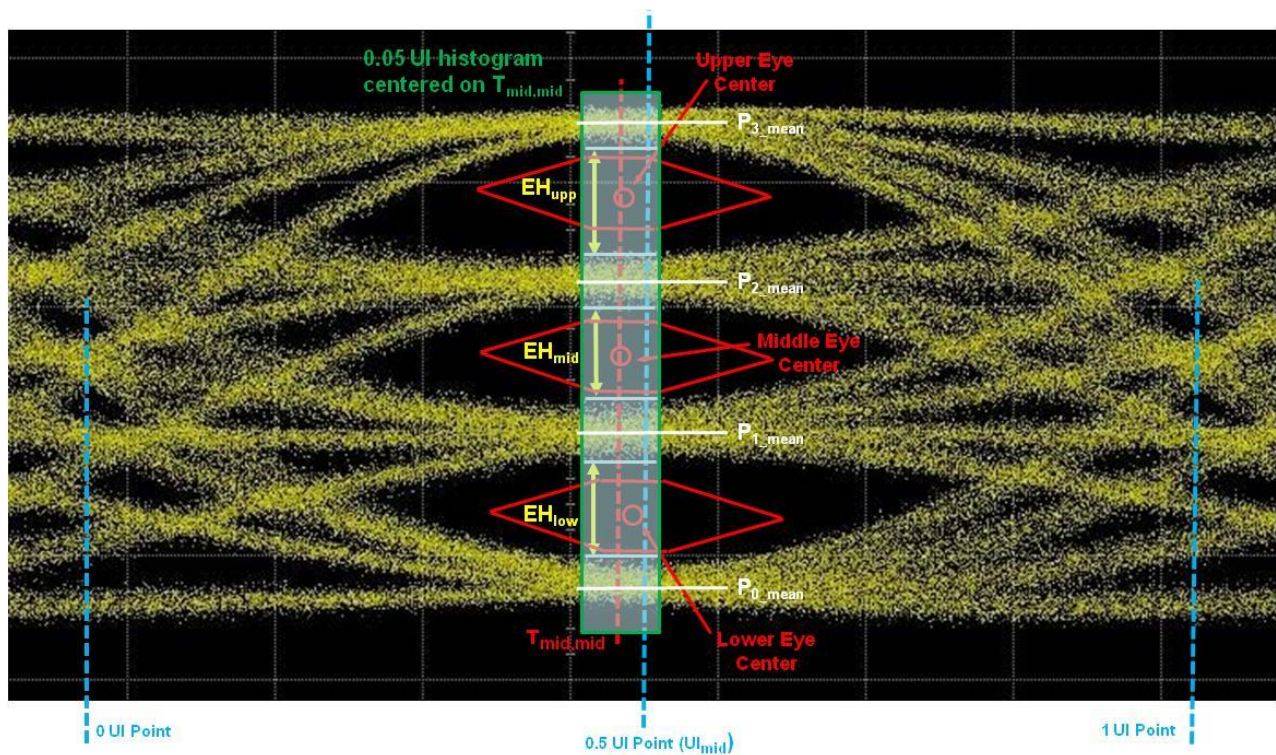
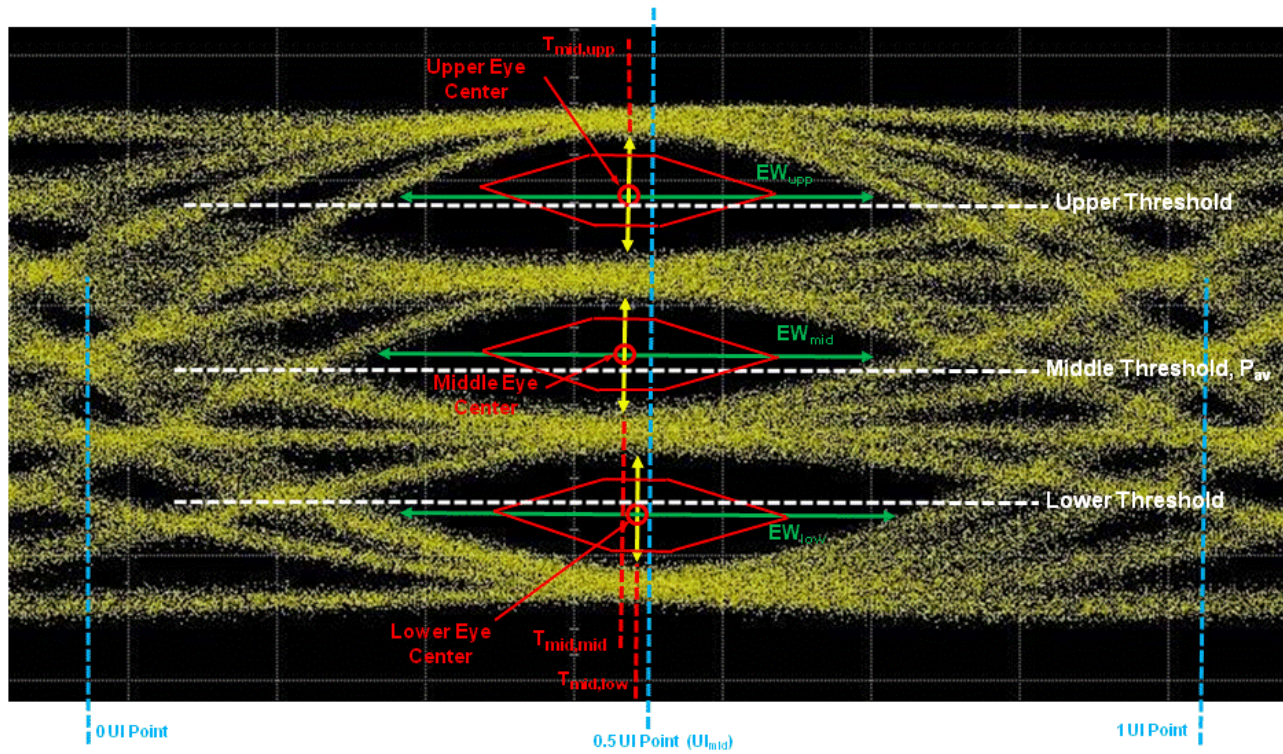
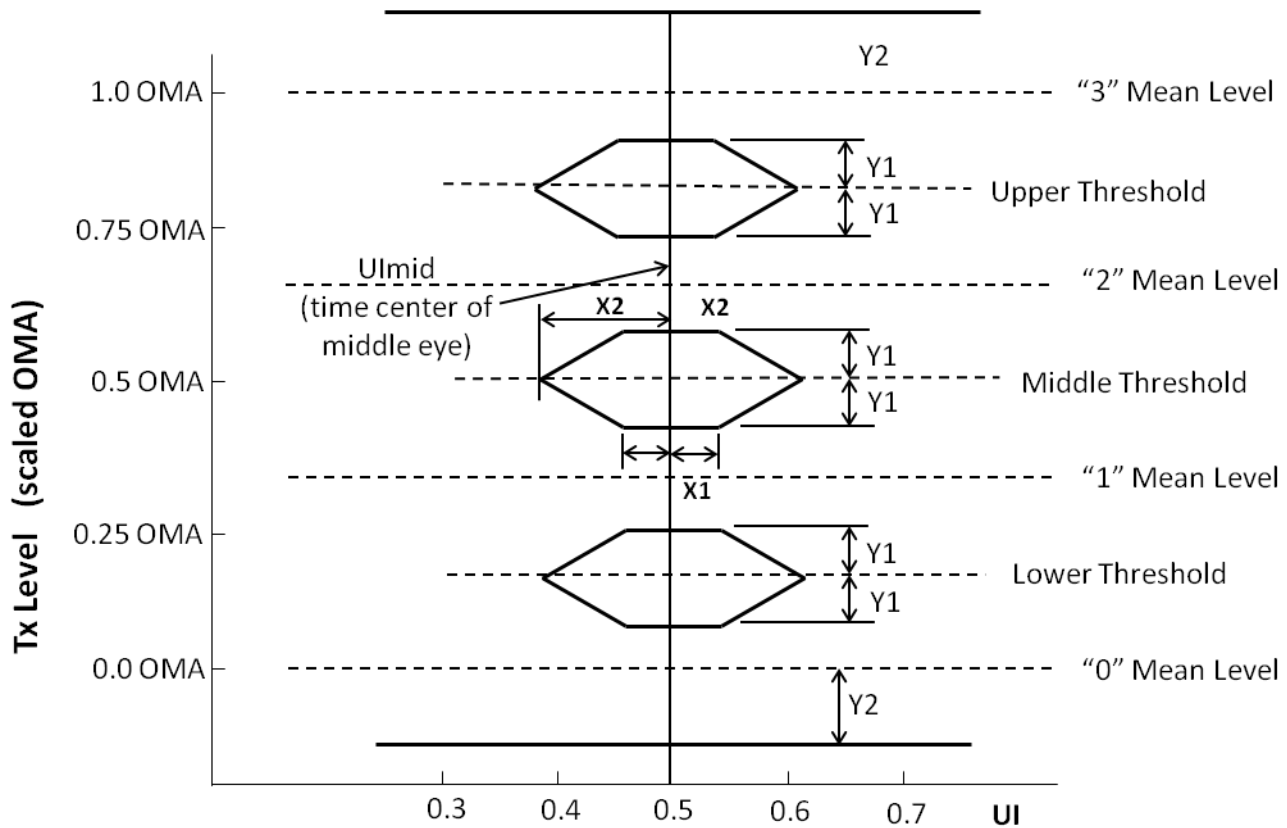


Figure 5-4: TP2 PAM4 Eye Parameters for 50G per lane MMF Open Eye

50G per lane MMF Open Eye Technical Specifications Rev 4.0



Note: Upper and lower eye centers can be offset from the Middle Eye Center by no more than the Inter-eye Skew defined in Table 5-3.

Figure 5-5: Eye Mask for 50G per lane MMF Open Eye

Table 5-3: Eye Mask Values for 50G per lane MMF Open Eye

| Description | 50G per lane MMF Open Eye Value | Unit |
|--|---------------------------------|------------------------|
| Vertical eye coordinates | | |
| Y1 | 0.06 | |
| Y2 | 0.25 | |
| Horizontal eye coordinates | | |
| X1 | 0.025 | UI |
| X2 | 0.125 | |
| Eye Center Constraints | | |
| Vertical (wrt relevant Threshold level) | +/-2 | % OMA _{outer} |
| Horizontal | | |
| Middle Eye Center (wrt UImid) | +/- 0.025 | UI |
| Upper Eye Center, Lower Eye Center (wrt Middle Eye Center) | +/- 0.025 | UI |

5.23 Extinction Ratio

Extinction ratio is measured using the method specified in IEEE Std 802.3cd clause 140.7.6.

5.24 Relative Intensity Noise ($RIN_{16.5OMA}$)

RIN shall be as defined by the measurement methodology of IEEE Std 802.3-2018 clause 52.9.6 with the following exceptions:

- a) The optical return loss is 16.5 dB for 50G per lane MMF Open Eye.
- b) The upper -3 dB limit of the measurement apparatus is to be approximately equal to the signaling rate (i.e., 26 GHz).

5.25 Reference Receiver

For the transmitter assessment (Test 1 and Test 2), the Reference Receiver is the combination of the O/E converter and the oscilloscope having a fourth-order Bessel Thomson filter response with a 3 dBe bandwidth of 14.45 GHz with a response out to at least 1.5 x baud rate. Above 1.5 x baud rate, the response should not exceed -24 dB. Note: The Reference Receiver bandwidth for the transmitter assessment (Test 1 and Test 2) includes an allowance for the worst case fiber modal bandwidth.

For the Stressed Receiver Sensitivity test, the Reference Receiver is the combination of the O/E converter and the oscilloscope having a fourth-order Bessel Thomson filter response with a 3 dBe bandwidth of approximately $0.75 \times$ baud rate with a response out to at least 1.5 x baud rate. Above 1.5 x baud rate, the response should not exceed -24 dB. Note: The Reference Receiver bandwidth for the Stressed Receiver Sensitivity test allows for the creation of an appropriately stressed transmitter.

5.26 Receiver Sensitivity

For 50G per lane MMF Open Eye, receiver sensitivity is normative. The receiver shall comply with the equation for sensitivity across all measurements of eye closure. See Figure 5-6.

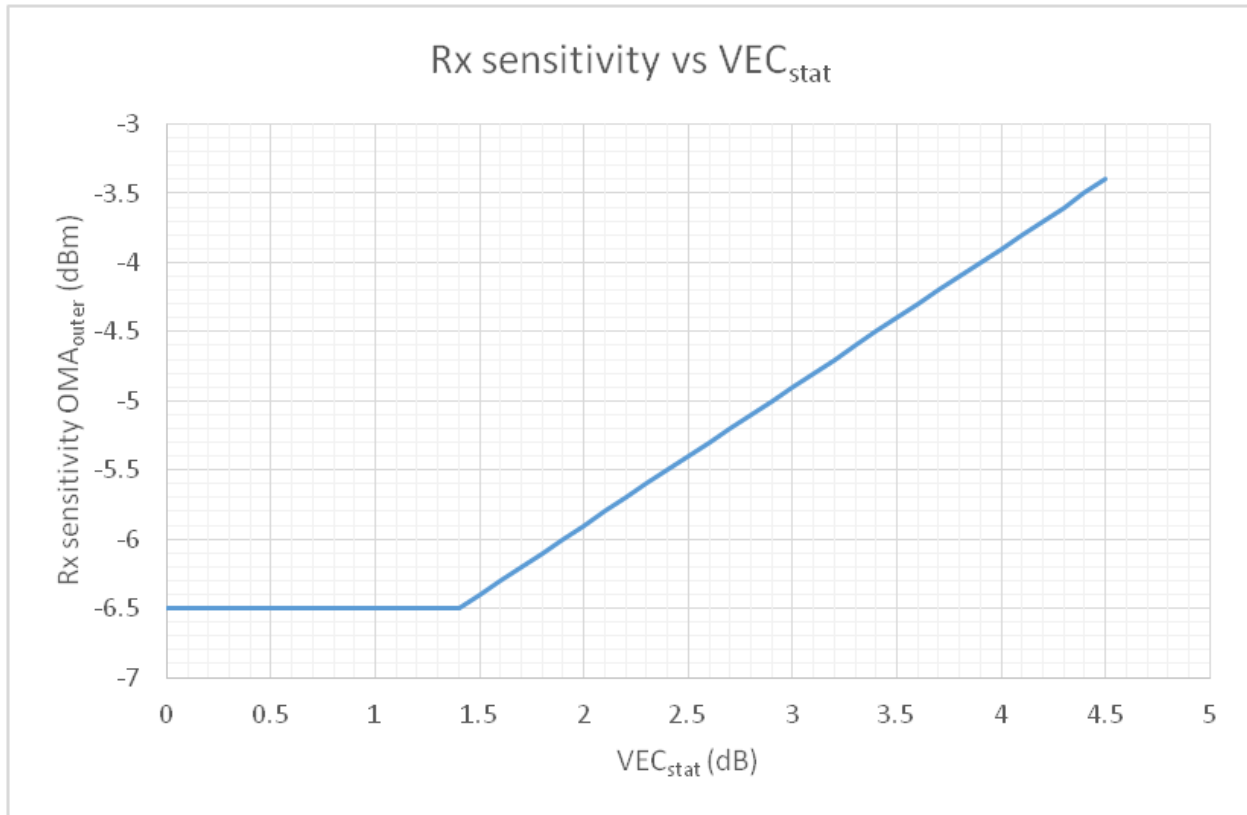


Figure 5-6: Receiver sensitivity as a function of VEC_{stat}

5.27 Stressed receiver sensitivity

Stressed receiver sensitivity shall be within the limits given Table 4-3 when measured using the method defined in Sections 5.27.1 and 5.27.3 with the conformance test signal applied to TP3. The test pattern for stressed receiver sensitivity is specified in Table 5-1. The BER is required to be met for the lane under test on its own.

Stressed receiver sensitivity is defined with all transmit and receive lanes in operation. The transmitters for each lane are asynchronous to each other.

5.27.1 Stressed receiver conformance test block diagram

A block diagram for the receiver conformance test is shown in Figure 5-7. The optical test signal is conditioned (stressed) using the methodology defined in Section 5.27.2 and sinusoidal jitter is applied as specified in 5.27.4. The stressed receiver conformance signal is verified using the techniques described in Section 5.27.3. Alternative test setups that generate equivalent stress conditions may also be used.

To ensure repeatability of the test signal calibration, all elements in the signal path should have a wide, smooth frequency response with linear phase and minimal reflections throughout the spectrum of interest. Baseline wander, overshoot and undershoot should be kept within the eye mask requirements.

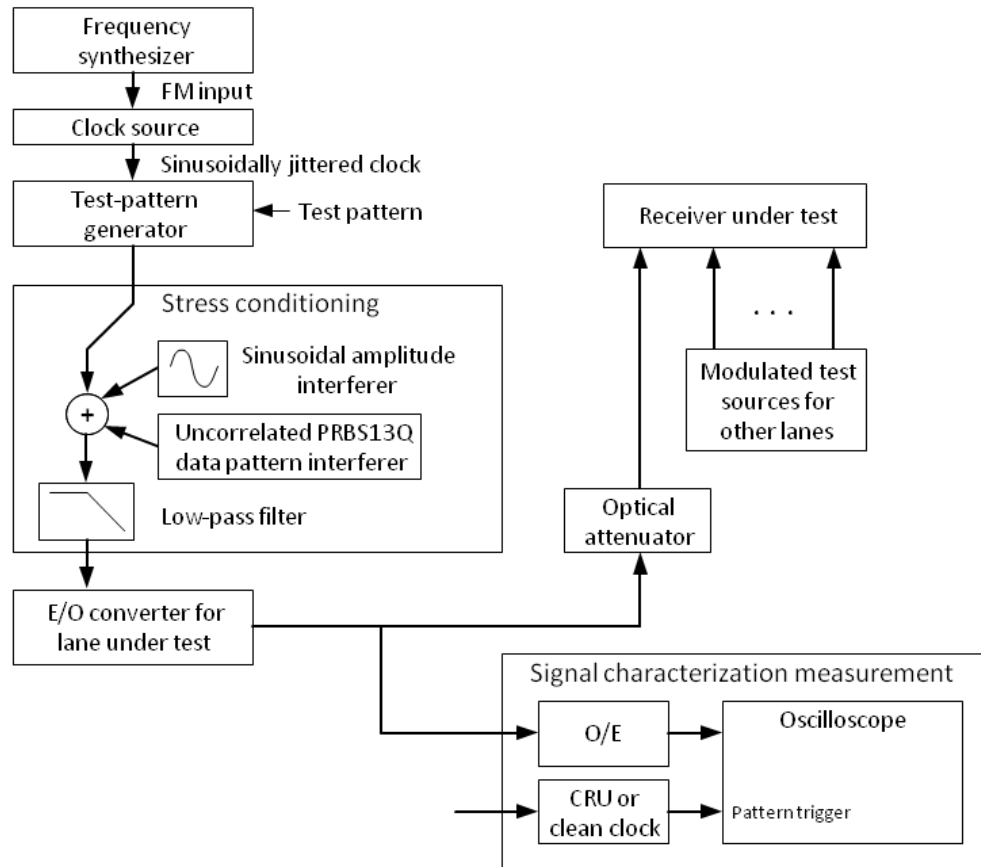


Figure 5-7: Stressed Receiver Test block diagram

A low pass filter is used to create ISI and the combination of the low-pass filter and E/O converter should have a smooth frequency response that results in sufficient ISI to give a VEC_{stat} as defined in Section 5.27.2.

This eye closure is before any additional jitter and noise is added to the signal. The sinusoidal amplitude interferer and uncorrelated PRBS13Q pattern interferer are used to create additional eye closure. The frequency of the amplitude interferer can be set in the range of 100 MHz to 2 GHz with care being taken to avoid any harmonic relationships between the sinusoidal jitter, the signaling rate and the pattern repetition rate. The uncorrelated PRBS13Q data pattern interferer represents transmitter noise and crosstalk.

The sinusoidal jitter added to the clock represents other forms of jitter and verifies that the receiver under test can track low frequency jitter. The sinusoidal jitter frequency should be between 50 kHz and 10 times loop bandwidth as defined in Table 5-4.

5.27.2 Stressed receiver conformance test signal characteristics

The conformance test signal is used to validate that each lane of the receiver meets the BER requirements with near worst-case waveforms at TP3. Deterministic and sinusoidal jitter are added to a clean test pattern until the jitter at the output of the pattern generator approximates the informative transmit recommendations given in Table 4-2. The stressed receiver conformance test signal is measured using the setup described in Figure 5-7. A laboratory grade E/O converter is assumed for this set up and measurement.

The stressed eye closure is set up as follows:

1. Set the signaling rate of the test pattern generator to meet the requirements in Table 4-2.
2. With the sinusoidal jitter, sinusoidal interferer and uncorrelated PRBS13Q data pattern interferer turned off, set the E/O converter extinction ratio approximately to the minimum specified in The 50G per lane MMF Open Eye transmitters shall meet the specifications defined in Table 4-2.

Table 4-2.

3. Add the filter and select the appropriate bandwidth to create ISI to give a VEC_{stat} of 3.5 dB to 4 dB.
4. Horizontal stressed eye closure is created by adding a $>10 \times$ loop bandwidth (e.g. 250 MHz) sinusoidal clock applied to the test pattern generator clock. The amplitude of the jitter should be set to give 50 mUI (as shown in Figure 5-8).
5. The remaining stressed eye closure to achieve the VEC_{stat} specified in Table 4-3 is achieved by adding a 100 MHz sinusoidal interferer (25%) and an uncorrelated PRBS13Q data pattern interferer (75%).
6. Iterate the adjustments on the sinusoidal interferer amplitude, the uncorrelated PRBS13Q data pattern interferer and the extinction ratio until the required value of stressed eye closure (VEC_{stat}) defined in Table 4-3 is met whilst simultaneously meeting the minimum extinction ratio and the jitter as specified in Table 4-2.
7. Each receiver lane is tested in turn. The stressed receiver conformance test signal is applied to the input of the receiver lane under test at the power specified as “Stressed receiver sensitivity (OMA_{outer}), each lane (max)” in Table 4-3. The test sources for the other receiver lanes are set to “ OMA_{outer} of each aggressor lane” specified in Table 4-3. The receiver should be capable of working with all reasonable combinations of stressors.

5.27.3 Stressed receiver conformance test signal verification

The stressed receiver conformance test signal is measured according to Figure 5-7. A separate clock source (clean clock in) is required to trigger the oscilloscope. This clock should be synchronized to the jittered clock source but not modulated with the jitter.

Care should be taken when characterizing the test signal because excessive noise/jitter in the measurement system would result in an input signal that does not fully stress the receiver under test. Running the receiver tolerance test with a signal that is under-stressed may result in the deployment of non-compliant receivers. The noise/jitter introduced by the O/E, filters, and oscilloscope should be negligible or the results should be corrected for its effects. The test equipment should be fully characterized and the measurement appropriately guard banded to ensure an accurate measurement is obtained.

5.27.4 Sinusoidal jitter stressor for the receiver conformance test

The sinusoidal jitter is used to test the receiver jitter tolerance. The amplitude of the applied sinusoidal jitter is frequency dependent and is specified in Table 5-4 and illustrated in Figure 5-8.

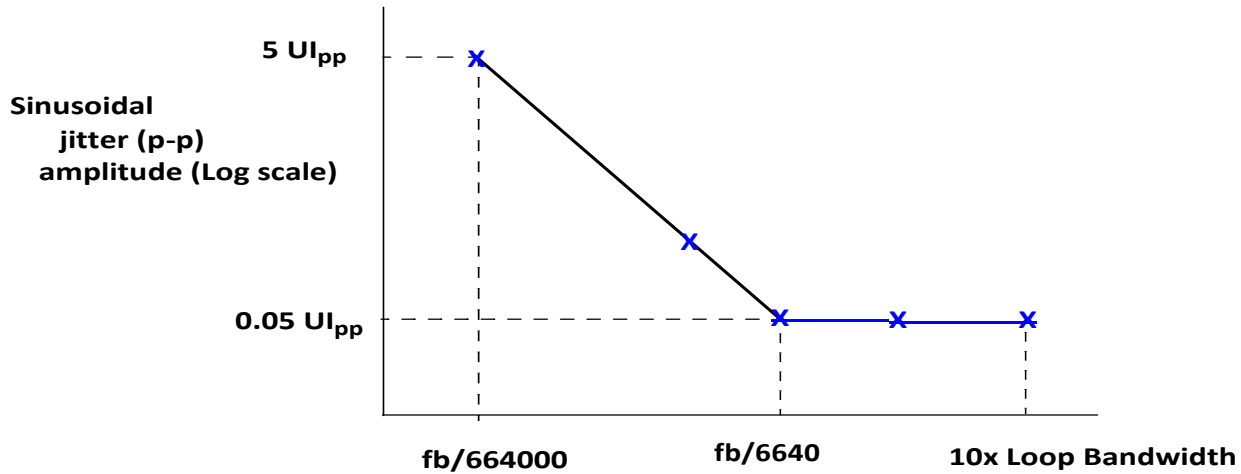


Figure 5-8: Receiver input sinusoidal jitter

Table 5-4: Sinusoidal jitter frequency for TP3 testing

| Frequency Range | Sinusoidal jitter, peak-to-peak (UI) |
|---|--------------------------------------|
| $f < fb/664000$ | Not specified |
| $fb/664000 < f \leq fb/6640$ | $5 \cdot fb / (664000 \cdot f)$ |
| $fb/6640 < f \leq 10$ times receiver loop bandwidth | 0.05 |

6 FIBER OPTIC CABLING MODEL

The fiber optic cabling model is shown in Figure 6-1.

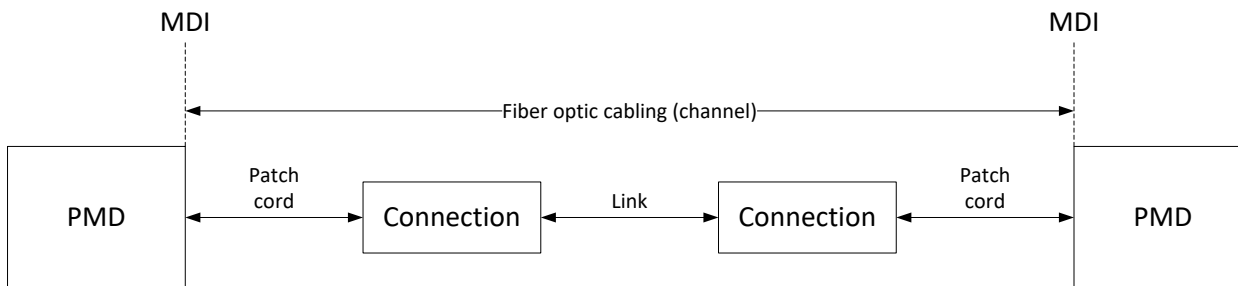


Figure 6-1: Fiber optic cabling model

The channel insertion loss is given in Table 6-1. A channel may contain additional connectors as long as the optical characteristics of the channel, such as attenuation, dispersion, reflections and polarization mode dispersion meet the specifications. Insertion loss measurements of installed fiber cables are made in accordance with IEC 61280-4-2 using the one-cord reference method. The fiber optic cabling model (channel) defined here is the same as a simplex fiber optic link segment. The term channel is used here for consistency with generic cabling standards.

Table 6-1: Fiber optic cabling (channel) characteristics

| Description | OM3 | OM4 | OM5 | Unit |
|---|-----|-----|-----|------|
| Operating distance (max) | 70 | 100 | | m |
| Cable Skew (max) | 79 | | | ns |
| Cabling Skew Variation ^a (max) | 2.4 | | | ns |
| Channel insertion loss ^b (max) | 1.8 | 1.9 | | dB |
| Channel insertion loss (min) | 0 | | | dB |
| ^a An additional 400 ps of Skew Variation could be caused by wavelength changes, which are attributable to the transmitter not the channel. | | | | |
| ^b These channel insertion loss values include cable loss plus 1.5 dB allocated for connection and splice loss, over the wavelength range 840 nm to 860 nm. | | | | |

7 CHARACTERISTICS OF THE FIBER OPTIC CABLING

The 50G per lane MMF Open Eye fiber optic cabling shall meet the specifications defined in Table 6-1 and Table 7-1. The fiber optic cabling consists of one or more sections of fiber optic cable and any intermediate connections required to connect sections together.

7.1 Optical Fiber Cable

The fiber contained within the 50G per lane MMF fiber optic cabling shall comply with the specifications and parameters of Table 7-1. A variety of multimode cable types may satisfy these requirements, provided the resulting channel also meets the specifications of Table 6-1.

Table 7-1: Optical fiber and cable characteristics

| Description | OM3 ^a | OM4 ^b | OM5 ^c | Unit |
|---|---|------------------|---------------------------------------|-----------------------|
| Nominal core diameter | 50 | | | μm |
| Nominal fiber specification wavelength | 850 | | | nm |
| Effective modal bandwidth (min) ^d | 2000 | 4700 | | MHz.km |
| Cabled optical fiber attenuation (max) | 3.5 | | | dB/km |
| Zero dispersion wavelength (λ_0) | $1295 \leq \lambda_0 \leq 1340$ | | $1297 \leq \lambda_0 \leq 1328$ | nm |
| Chromatic dispersion slope (max) (S_0) | 0.105 for $1295 \leq \lambda_0 \leq 1310$ and $0.000375 \times (1590 - \lambda_0)$ for $1310 \leq \lambda_0 \leq 1340$ | | $-412 / (840(1 - (\lambda_0/840)^4))$ | ps/nm ² km |
| ^a IEC 60793-2-10 type A1a.2 ^b IEC 60793-2-10 type A1a.3 ^c IEC 60793-2-10 type A1a.4 ^d When measured with the launch conditions specified in Table 4-2. | | | | |

7.2 Optical Fiber Connection

An optical fiber connection, as shown in Figure 6-1, consists of a mated pair of optical connectors.

7.2.1 Connection insertion loss

The maximum link distance for 50G per lane MMF Open Eye is based on an allocation of 1.5 dB total connection and splice loss. For example, this allocation supports three connections with an average insertion loss of 0.5 dB per connection. Connections with different loss characteristics may be used provided the requirements of Table 6-1 are met. The loss of a single connection shall not exceed 0.75 dB.

7.2.2 Maximum discrete reflectance

The maximum discrete reflectance shall be less than -20 dB.

7.3 Medium Dependent Interface (MDI) Requirement

The PMD is coupled to the fiber optic cabling at the MDI. The MDI is the interface between the PMD and the “fiber optic cabling” (as shown in Figure 6-1). Examples of an MDI include the following:

- a) Connectorized fiber pigtail
- b) PMD receptacle

50G per lane MMF Open Eye Technical Specifications Rev 4.0

When the MDI is a connector plug and receptacle connection, it shall meet the interface performance specifications of IEC 61753-1-1 and IEC 61753-021-2. Both flat and angled connectors are permitted for the MDI interface.

NOTE: Transmitter compliance testing is performed at TP2 i.e. after a 2 meter patch cord, not at the MDI.

7.4 Optical lane assignments for 50G per lane MMF Open Eye

The transmit and receive optical lanes of the 50G per lane MMF Open Eye shall occupy the positions depicted in Figure 7-1 when looking into the MDI receptacle with the keyway feature on top. The transmit optical lanes are indicated in red, the receiver optical lanes are indicated in green.

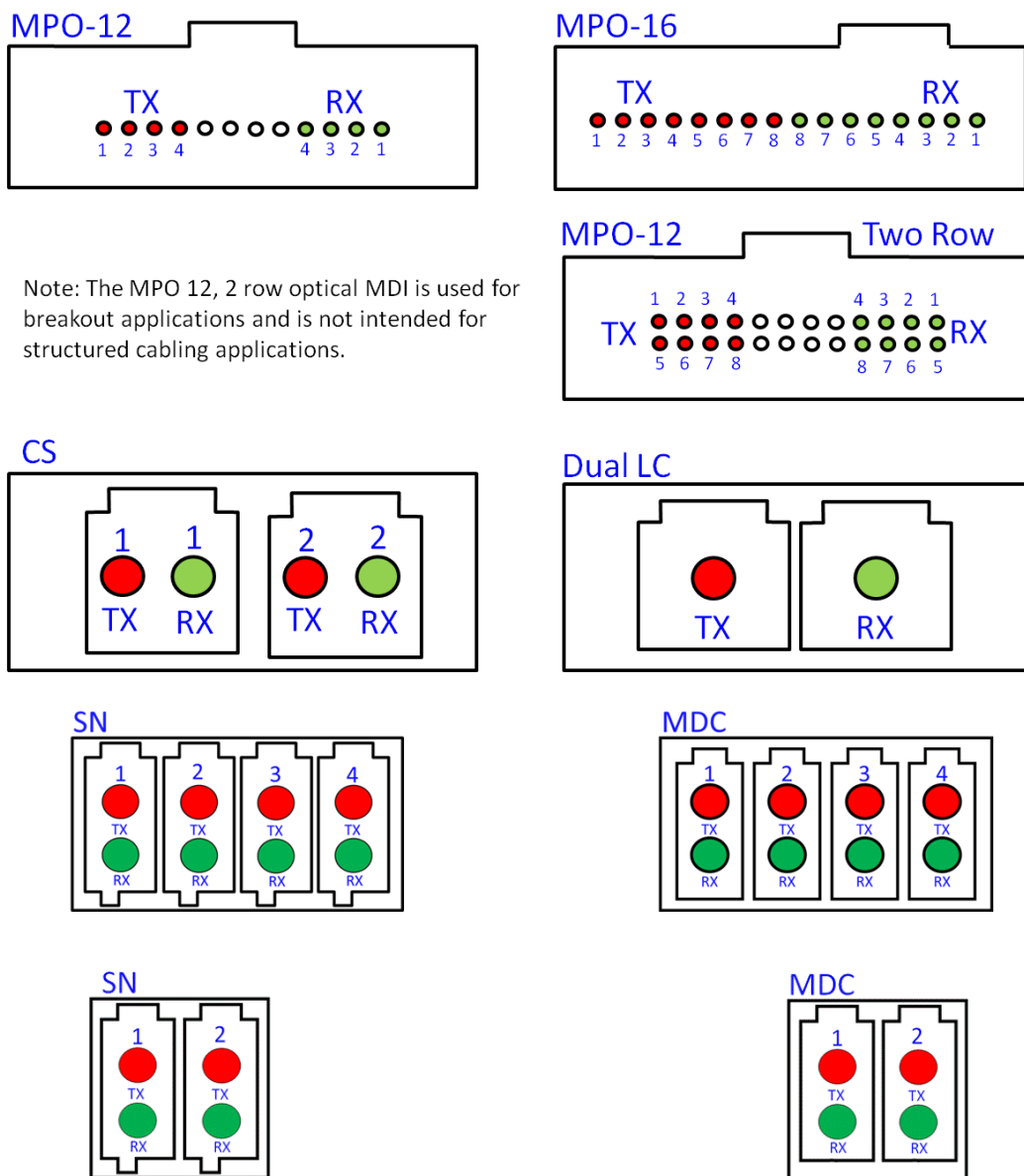


Figure 7-1 Optical lane assignments for 50G per lane MMF Open Eye

8 50G per lane MMF-OPEN EYE MODULE COLOR CODING

Transceiver modules compliant to the 50G per lane MMF Open Eye Specifications use a color code to indicate the application. This color code can be on a module bail latch, pull tab, or other visible feature of the module when installed in a system. The color code scheme is specified in Table 8-1.

Table 8-1: 50G per lane MMF Open Eye Module Color Coding

| Color Code | Application |
|-------------------|--------------------|
| TBD | 50G-SR1-Open Eye |
| TBD | 100G-SR2-Open Eye |
| TBD | 200G-SR4-Open Eye |
| TBD | 400G-SR8-Open Eye |